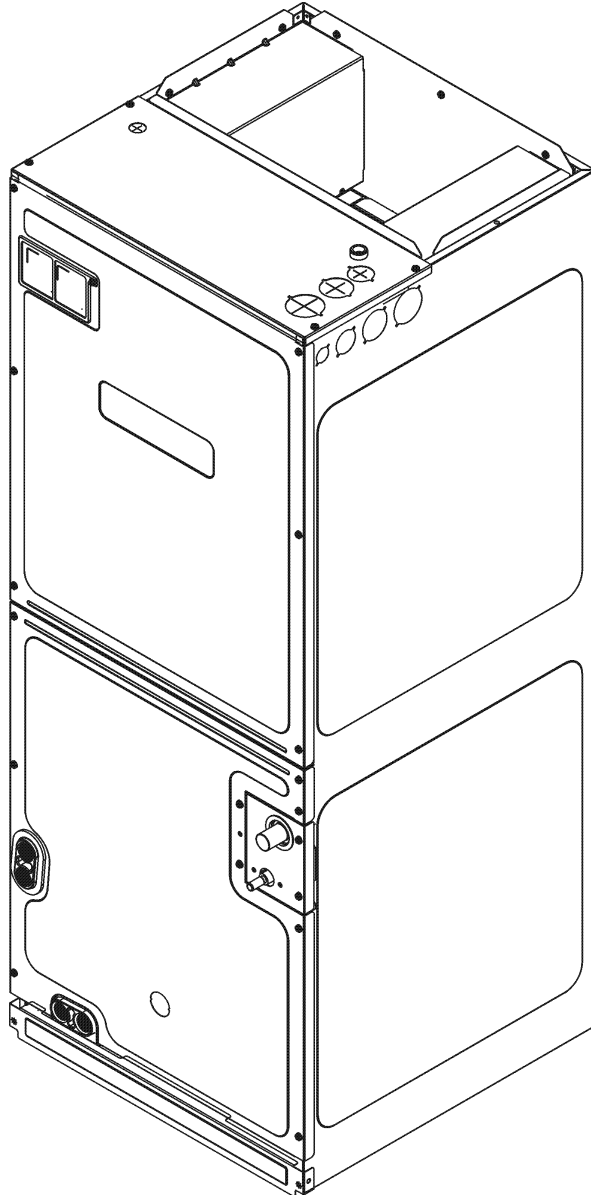


REPAIR PARTS

ARUF Air Handler

ARUF25B14AA
ARUF29B14AA
ARUF31B14AA
ARUF37C14AA
ARUF37D14AA
ARUF43C14AA
ARUF43D14AA
ARUF47D14AA
ARUF49C14AA
ARUF49D14AA
ARUF61D14AA



This manual is to be used by qualified technicians only.

This manual replaces RP-4006A.

© 2015 Goodman Manufacturing Company, L.P. ♦ 5151 San Felipe St., Suite 500 ♦ Houston, TX 77056

Important Information

Index

Functional Parts List	3
Illustration and Parts	4 - 9

Views shown are for parts illustrations only, not servicing procedures

Text Codes:

AR - As Required

NA - Not Available

NS - Not Shown

00000000 - See Note

QTY - Quantity Example (QTY 3) (If Quantity not shown, Quantity = 1)

M - Model Example (M1) (If M Code not shown, then part is used on all Models)

Expanded Model Nomenclature:

Example M1 - Model#1 M2 - Model#2 M3 - Model#3

Goodman Manufacturing Company, L.P. is not responsible for personal injury or property damage resulting from improper service. Review all service information before beginning repairs.

Warranty service must be performed by an authorized technician, using authorized factory parts. If service is required after the warranty expires, Goodman Manufacturing Company, L.P. also recommends contacting an authorized technician and using authorized factory parts.

Goodman Manufacturing Company, L.P. reserves the right to discontinue, or change at any time, specifications or designs without notice or without incurring obligations.

For assistance within the U.S.A. contact:
Consumer Affairs Department
Goodman Manufacturing Company, L.P.
7401 Security Way
Houston, Texas 77040
877-254-4729-Telephone
713-863-2382-Facsimile

For assistance outside the U.S.A. contact:
International Division
Goodman Manufacturing Company, L.P.
7401 Security Way
Houston, Texas 77040
713-861-2500-Telephone
713-863-2382-Facsimile

Functional Parts

Part

No: Description:

11091204	BLOWER MOTOR 1/2 HP, 3 SP, 8 PL (M7, M8, M10)
11091203	BLOWER MOTOR 1/3 HP, 3 SP, 6 PL (M4, M5, M6)
0131M00005P	BLOWER MOTOR 1/3 HP, 3 SP, 6 PL (M1, M2, M3)
0131M00676	BLOWER MOTOR, 1/2HP, 3SP, 8PL (M9)
0131M00297	BLOWER MOTOR, 3/4 HP, 3 SP (M11)
D6723306	BLOWER WHEEL (M5, M7, M8, M9, M10)
CAP250000370CP	CAP, 25 MFD/370V/ RD (M11)
CAP100000370LA	CAPACITOR 10/370V (M1, M2, M3, M4, M5, M6)
CAP150000370LA	CAPACITOR 15/370V (M7, M8, M9, M10)
PCBFM103	ELECTRONIC BLOWER TIME DELAY
0130M00138	TRANSFORMER 208/230, 24V

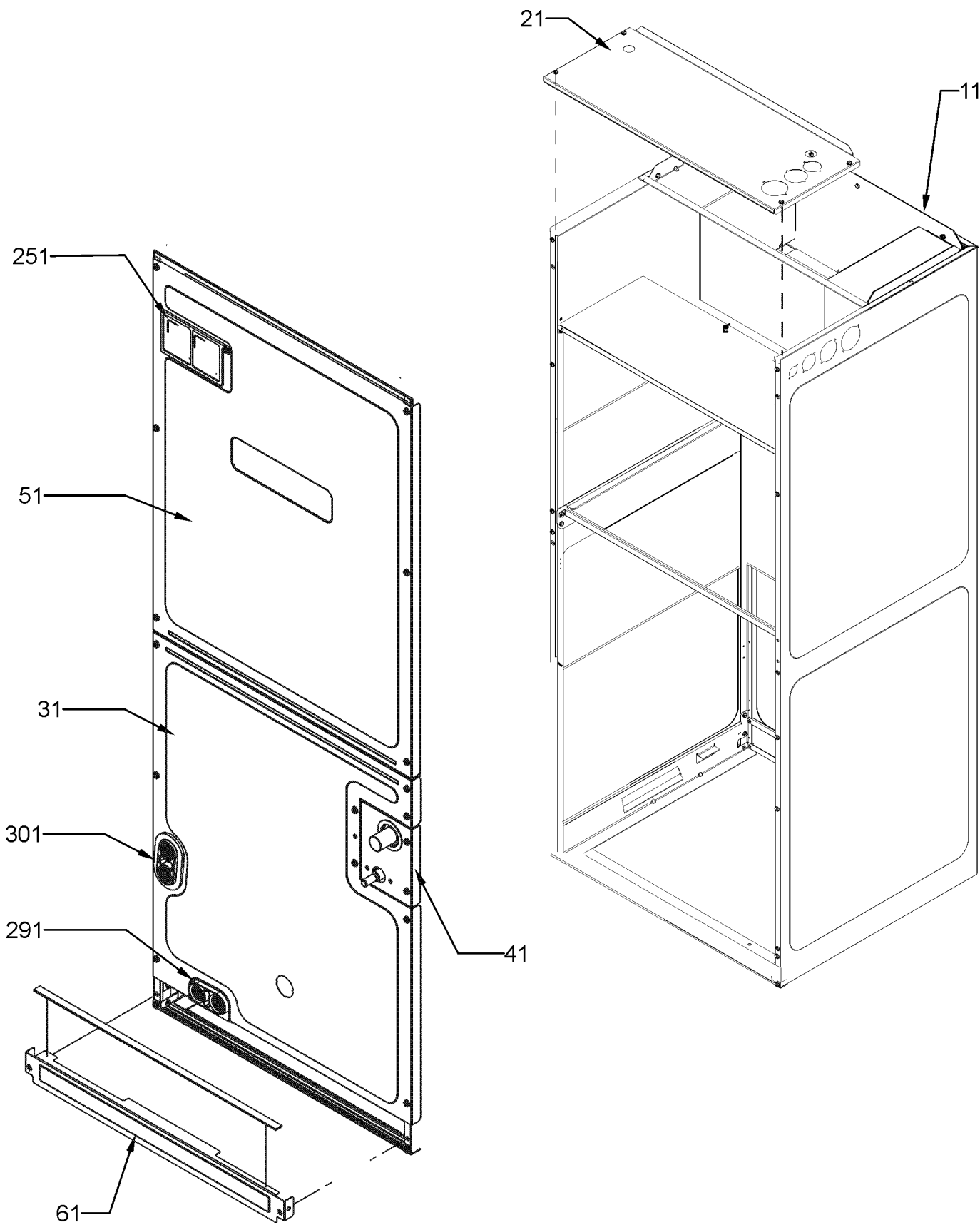
SPECIAL PARTS

PKCG-4001J PISTON KIT

Expanded Model Nomenclature

M1 - ARUF25B14AA
M2 - ARUF29B14AA
M3 - ARUF31B14AA
M4 - ARUF37C14AA
M5 - ARUF37D14AA
M6 - ARUF43C14AA
M7 - ARUF43D14AA
M8 - ARUF47D14AA
M9 - ARUF49C14AA
M10 - ARUF49D14AA
M11 - ARUF61D14AA

Cabinet Assy



Cabinet Assy

Ref. Part No:	No:	Description:	Ref. Part No:	No:	Description:
<i>Image 1:</i>					
11	0121A00276	WRAPPER (M8, M11)			
11	0121A00281	WRAPPER (M1, M2)			
11	0121A00455	WRAPPER (M5, M7, M10)			
11	0121A00456	WRAPPER (M4, M6, M9)			
11	0121A00458	WRAPPER (M3)			
21	0121A00252PDG	UPPER TIE PLATE (M1, M2, M3)			
21	0121A00253PDG	UPPER TIE PLATE (M4, M6, M9)			
21	0121A00254PDG	UPPER TIE PLATE (M5, M7, M8, M10, M11)			
31	0121A00460PDG	LOWER ACCESS PANEL (M5, M7, M10)			
31	0121A00461PDG	LOWER ACCESS PANEL (M4, M6, M9)			
31	0121A00463PDG	LOWER ACCESS PANEL (M3)			
31	0121A00618PDG	LOWER ACCESS PANEL (M8, M11)			
31	0121A00620PDG	LOWER ACCESS PANEL (M1, M2)			
41	0121A00595PDG	REFRIGERATION TUBING PANEL			
51	0121A00609PDG	UPPER ACCESS PANEL (M5, M7, M8, M10, M11)			
51	0121A00610PDG	UPPER ACCESS PANEL (M4, M6, M9)			
51	0121A00611PDG	UPPER ACCESS PANEL (M1, M2, M3)			
61	0121A00242PDG	FILTER ACCESS PANEL (M1, M2, M3)			
61	0121A00243PDG	FILTER ACCESS PANEL (M4, M6, M9)			
61	0121A00244PDG	FILTER ACCESS PANEL (M5, M7, M8, M10, M11)			
251	0161A00034	PLASTIC BREAKER INSERT			
NS	BT1369063	90 DEGREE STUB			
NS	0163A00026	THUMB SCREW (QTY 2)			

Expanded Model Nomenclature

M1 - ARUF25B14AA
M2 - ARUF29B14AA
M3 - ARUF31B14AA
M4 - ARUF37C14AA
M5 - ARUF37D14AA
M6 - ARUF43C14AA
M7 - ARUF43D14AA
M8 - ARUF47D14AA
M9 - ARUF49C14AA
M10 - ARUF49D14AA
M11 - ARUF61D14AA

Control Panel / Coil Assy

IMAGE 1

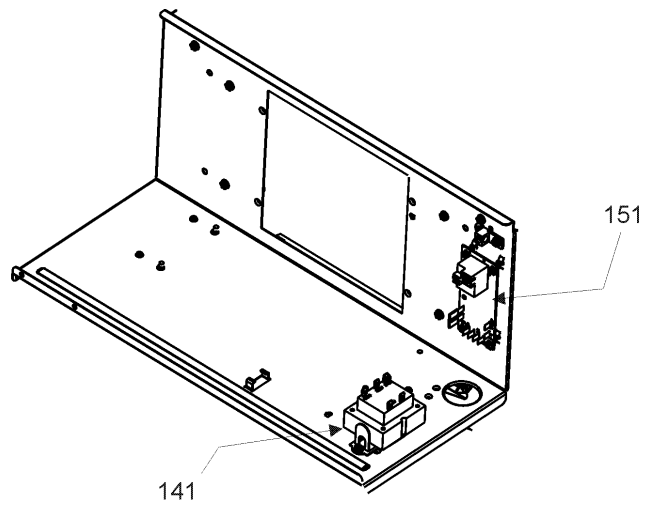
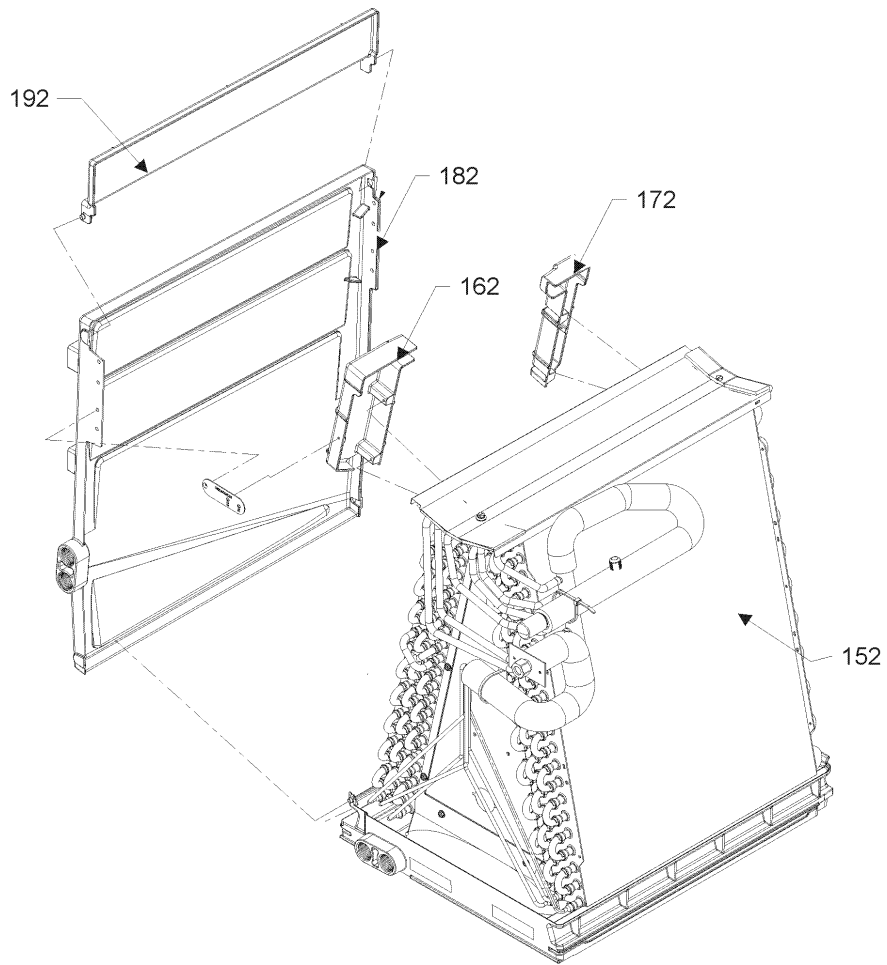


IMAGE 2



Control Panel / Coil Assy

Ref. Part No: No:	Description:	Ref. Part No: No:	Description:
Image 1:			
141	0130M00138		TRANSFORMER 208/230, 24V
151	PCBFM103		ELECTRONIC BLOWER TIME DELAY
NS	0259A00012P		WIRE ASSY, 9 PIN FEMALE CONN.
NS	0259A00013P		WIRE ASSY, 9 PIN MALE CONN.
Image 2:			
152	0270A00975		COIL TUBING ASSEMBLY (M11)
152	0270A00976		COIL TUBING ASSEMBLY (M8)
152	0270A00977		COIL TUBING ASSEMBLY (M5)
152	0270A00978		COIL TUBING ASSEMBLY (M9)
152	0270A00979		COIL TUBING ASSEMBLY (M3)
152	0270A00980		COIL TUBING ASSEMBLY (M1)
152	0270A00983		COIL TUBING ASSEMBLY (M6)
152	0270A00984		COIL TUBING ASSEMBLY (M4)
152	0270A00987		COIL TUBING ASSEMBLY (M2)
152	0270A00988		COIL TUBING ASSEMBLY (M10)
152	0270A00989		COIL TUBING ASSEMBLY (M7)
162	0161A00060		CONDENSATE, COLLECT, FRONT
172	0161A00061		CONDENSATE, COLLECT, BACK
182	0161A00053		DRAIN PAN HORIZONTAL, TALL (M3, M4, M5, M6, M7, M8, M9, M10, M11)
182	0161A00055		DRAIN PAN HORIZONTAL, SMALL (M1, M2)
192	0161A00054		DRAIN PAN, EXTENSION, SMALL (M1, M2, M3, M4, M5, M6, M7, M9, M10)
192	0161A00056		DRAIN PAN, EXTENSION, TALL (M8, M11)
292	0154A00006BL		Gasket, Drain Pan
302	0154A00007BL		Gasket, Drain Pan
NS	0163M00175		CAP WITH O-RING
NS	PKCG-4001J		PISTON KIT
NS	B1787000		VALVE CORE

Expanded Model Nomenclature

M1 - ARUF25B14AA
M2 - ARUF29B14AA
M3 - ARUF31B14AA
M4 - ARUF37C14AA
M5 - ARUF37D14AA
M6 - ARUF43C14AA
M7 - ARUF43D14AA
M8 - ARUF47D14AA
M9 - ARUF49C14AA
M10 - ARUF49D14AA
M11 - ARUF61D14AA

Blower Components

IMAGE 1

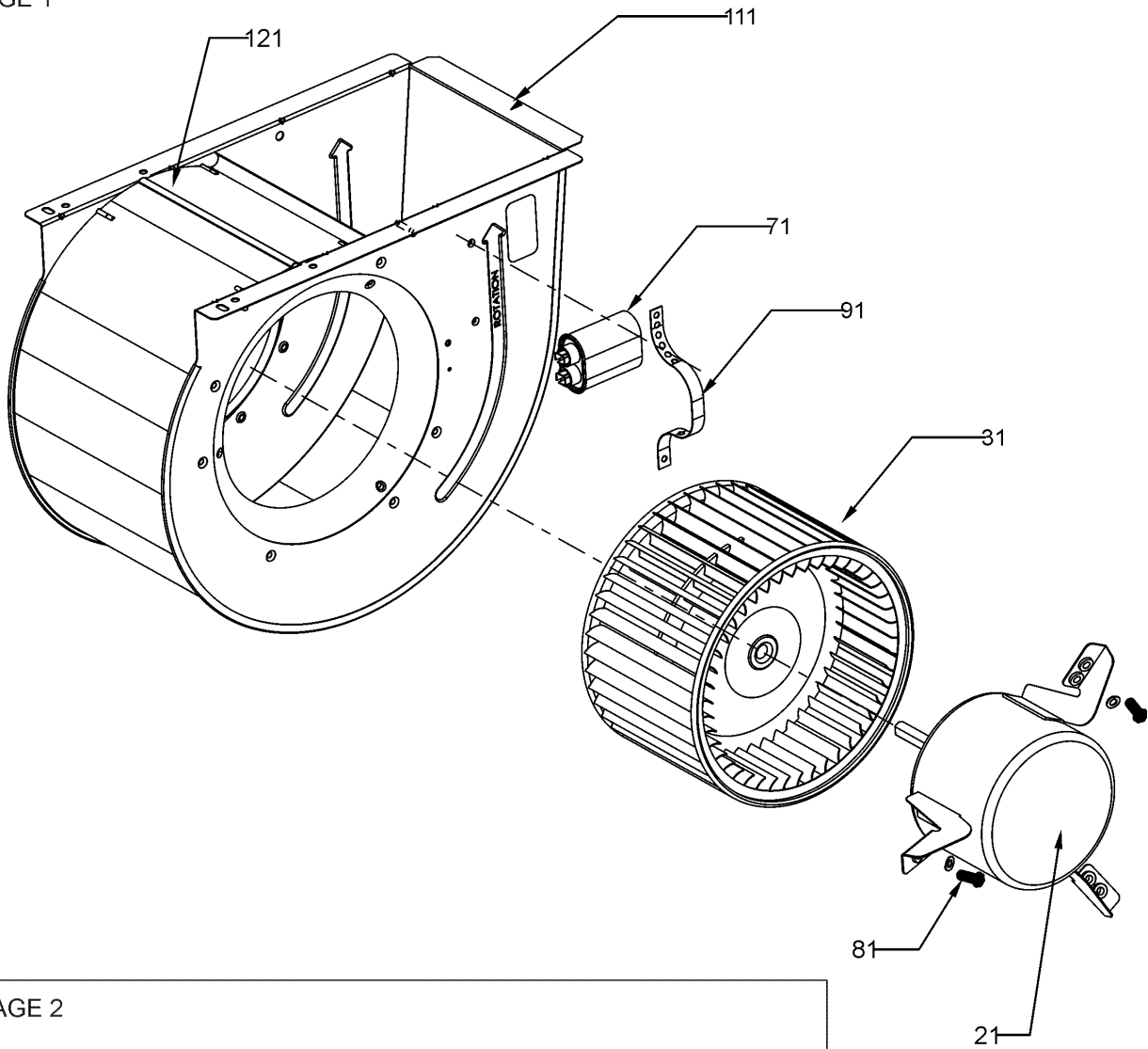
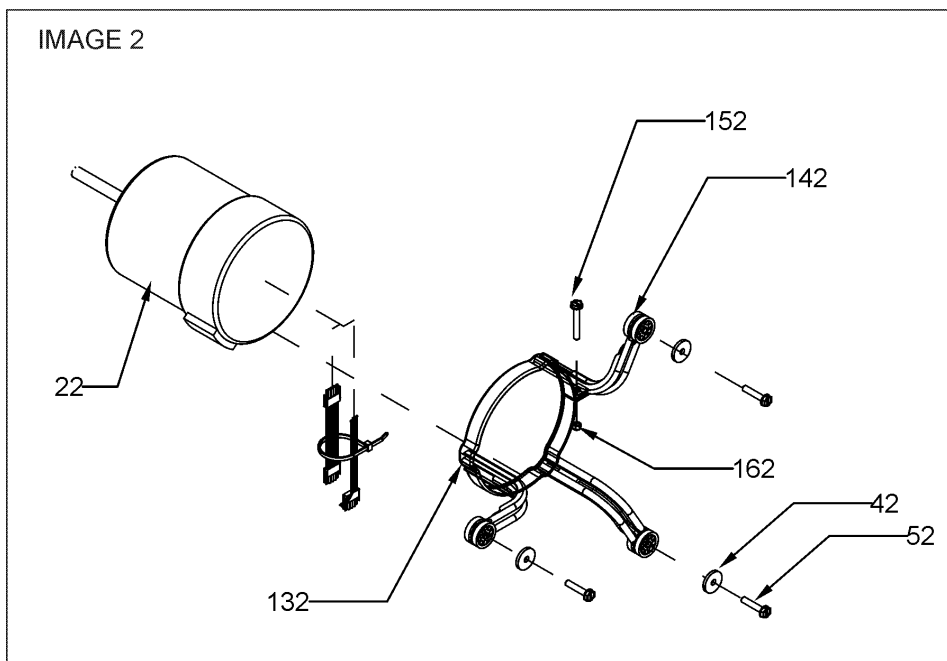


IMAGE 2



Blower Components

Ref. Part No: No:	Description:	Ref. Part No: No:	Description:
-------------------	--------------	-------------------	--------------

Image 1:

21	0131M00005P	BLOWER MOTOR 1/3 HP, 3 SP, 6 PL (M1, M2, M3)
21	11091203	BLOWER MOTOR 1/3 HP, 3 SP, 6 PL (M4, M5, M6)
31	D6723306	BLOWER WHEEL (M5, M7, M8, M9, M10)
71	CAP250000370CP	CAP, 25 MFD/370V/ RD (M11)
71	CAP100000370LA	CAPACITOR 10/370V (M1, M2, M3, M4, M5, M6)
71	CAP150000370LA	CAPACITOR 15/370V (M7, M8, M9, M10)
81	M0250558	TC SCREW (M1, M2, M3, M4, M5, M6)
91	1284835	CAPACITOR STRAP
111	0271A00205	BLOWER ASSY (M1, M2, M3)
111	0271A00016	BLOWER HOUSING ASSY 10 X 10 (M5, M7, M8, M9, M10)
111	0271A00029	BLOWER HOUSING ASSY 10 X 8 (M4, M6)
111	0271A00206	BLOWER SHELL ASSY (M11)
121	764741	BLOWER BLOCK-OFF 10 X 10 (M5, M7, M8, M9, M10)
121	764740	BLOWER BLOCK-OFF 10 X 8 (M4, M6)

Image 2:

22	11091204	BLOWER MOTOR 1/2 HP, 3 SP, 8 PL (M7, M8, M10)
22	0131M00676	BLOWER MOTOR, 1/2HP, 3SP, 8PL (M9)
22	0131M00297	BLOWER MOTOR, 3/4 HP, 3 SP (M11)
42	B1392918	WASHER, FLAT 1/4 ID X 1 OD (M7, M8, M9, M10, M11)
52	M0250565	TC SCREW 1.25" (M7, M8, M9, M10, M11)
132	0121M00039	MOTOR MOUNT BAND (HEAVY DUTY) (M7, M8, M9, M10, M11)
142	B1376863	MOTOR MOUNT ARM (HEAVY DUTY) (M7, M8, M9, M10, M11)
152	B1393323	MACHINE SCREW HWH 1/4-20 X 1-1/2 BZ (M7, M8, M9, M10, M11)
162	B1393800	LOCKNUT, NYLON, INSERT 1/4, 20 (M7, M8, M9, M10, M11)

Expanded Model Nomenclature

- | |
|-------------------|
| M1 - ARUF25B14AA |
| M2 - ARUF29B14AA |
| M3 - ARUF31B14AA |
| M4 - ARUF37C14AA |
| M5 - ARUF37D14AA |
| M6 - ARUF43C14AA |
| M7 - ARUF43D14AA |
| M8 - ARUF47D14AA |
| M9 - ARUF49C14AA |
| M10 - ARUF49D14AA |
| M11 - ARUF61D14AA |